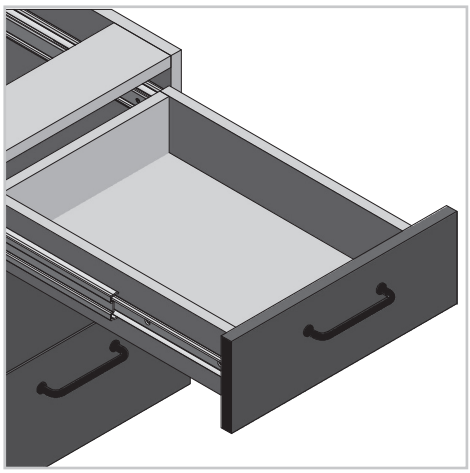


# Ball bearing slides H53



## APPLICATION



## CHARACTERISTICS

H 53

FULL

100 KG

FRIENDLY

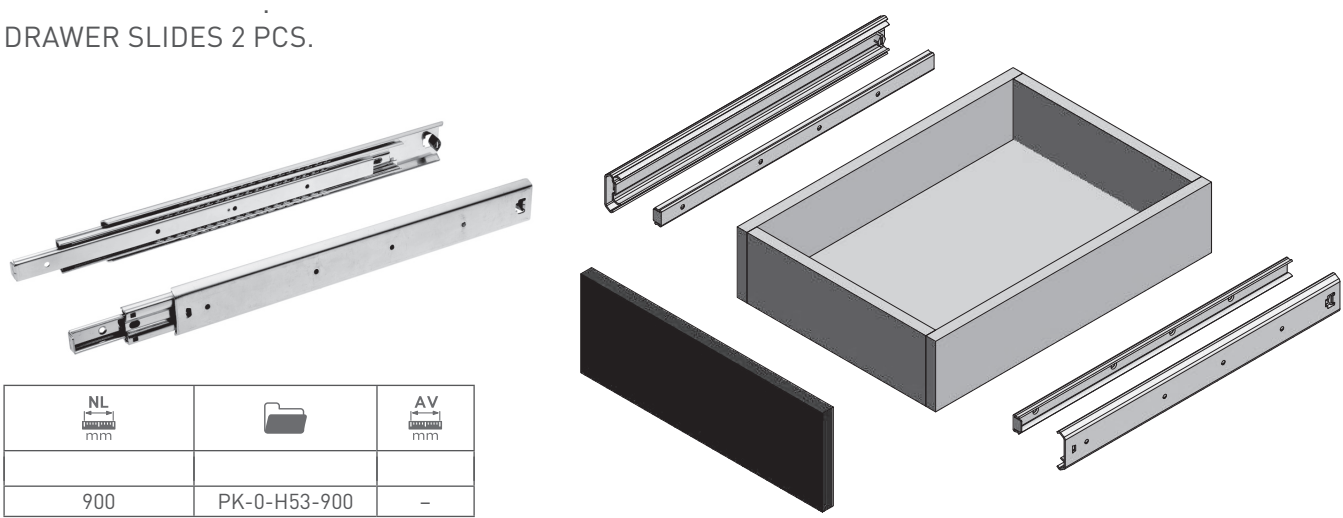
STEEL

ZINC PLATED

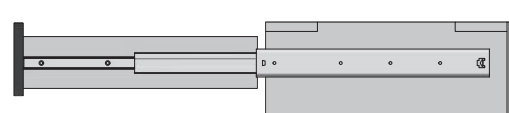
CERTIFICATE 60.000

## ADDITIONAL INFORMATION

DRAWER SLIDES 2 PCS.



NL mm		AV mm
900	PK-0-H53-900	-

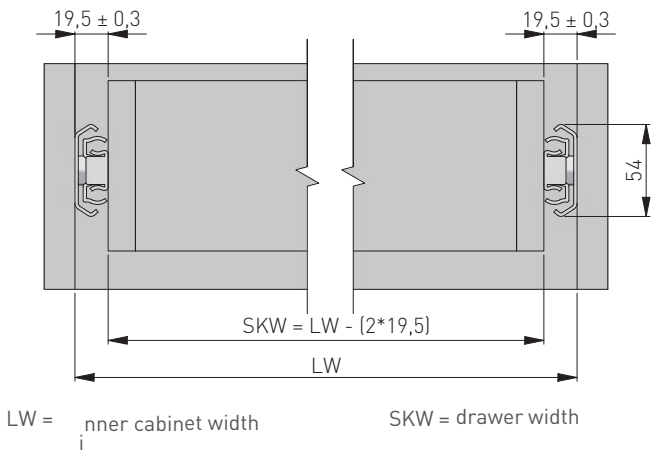


NL = nominal slide length

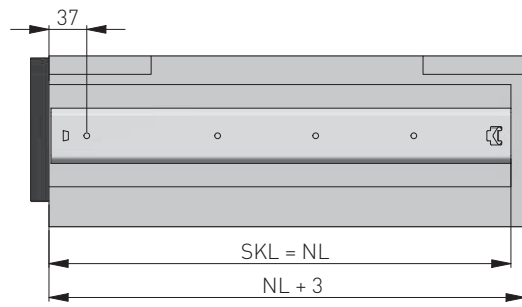
AV = extension loss

PLANNING

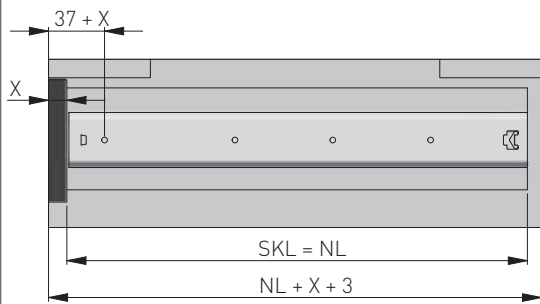
drawer width



standard drawer



inner drawer



X= drawer front thickness

SKL= drawer depth

NL- nominal slide length

spacing of mounting holes

